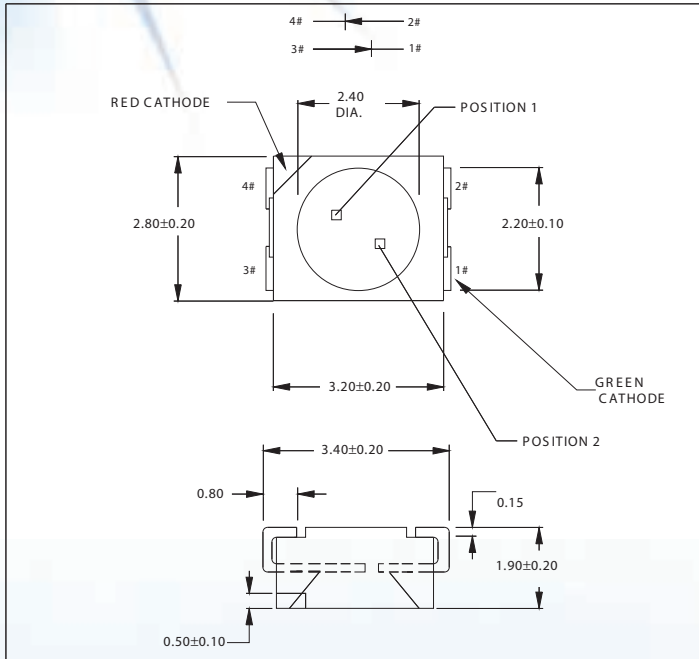


CMD67-21 SERIES SMT LEDs

DESCRIPTION AND FEATURES



Surface Mount Technology

- Tape and reel packaged for high-speed autoinsertion.
- Convection and vapor-phase eflow compatible.
- Compact form enables high density placement.
- Packaged 2000 pieces per reel.

Leading Edge LED Optoelectronic Performance

- Consistent high brightness.
- Integral lensing for narrow angle light dispersion.
- Bi-color available.

Exceptional Reliability

- Stringent process controls assure quality.
- Extensive qualification testing to meet strictest requirements.
- Designed to permit easy post-reflow solder joint inspection.

- Solder pad geometry on page 1-X1.

ELECTRO-OPTICAL CHARACTERISTICS AND RATINGS

Part Number	Emitted Color	Lens Color	Luminous Intensity		Forward Voltage		Polarity Mark Indicates	Peak Wavelength (nm)	View Angle (degrees)
			Min. (mcd)	Typ. (mcd)	Typ. (V)	Max. (V)			
CMD67-21VGC/TR8	Green	Clear	15.0	25.0	2.1	2.8	Cathode	570	120
CMD67-21VYC/TR8	Yellow	Clear	6.0	10.0	2.0	2.8	Cathode	585	120
CMD67-21VRC/TR8	H.E. Red	Clear	6.0	10.0	2.0	2.8	Cathode	640	120
CMD67-21SRC/TR8	Bright Red	Clear	25.0	40.0	1.7	2.4	Anode	660	120
CMD67-21URC/TR8	Bright Red	Clear	36.0	62.0	1.7	2.4	Anode	660	120
CMD67-21UBC/TR8	Blue	Clear	59.0	98.0	4.5	5.5	Cathode	430	120
CMD67-21UYC/TR8	Super Yellow	Clear	65.0	85.0	2.1	2.8	Cathode	590	120
CMD67-21USOC/TR8	Super Orange	Clear	70.0	90.0	2.1	2.8	Cathode	620	120

ABSOLUTE MAXIMUM RATINGS

	Green	H.E.Red	Yellow	Bright	Red Units
Power Dissipation.....	105.....	120.....	105.....	100.....	mW
Storage/Operating Temperature.....	-40 to +85.....	-40 to +85.....	-40 to +85.....	-40 to +85.....	°C
Peak Forward Current (1µs @ 10% duty cycle).....	150.....	150.....	150.....	150.....	mA
Reverse Voltage (IR=100µA).....	5.0.....	5.0.....	5.0.....	5.0.....	V
Lead Solder Time @ 260°C.....	5.....	5.....	5.....	5.....	Seconds
Average Forward Current.....	25.....	30.....	30.....	30.....	mA